

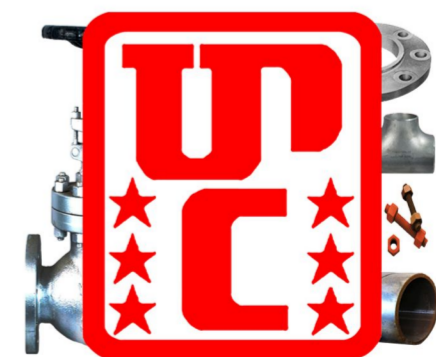


brands you trust.



Cast Iron Gate, Globe, Check Valves
Class 125 (200WOG)

CRANE



www.upcc.com.ph

CRANE
Energy Process Solutions

F58

Cast Iron Gate Valve

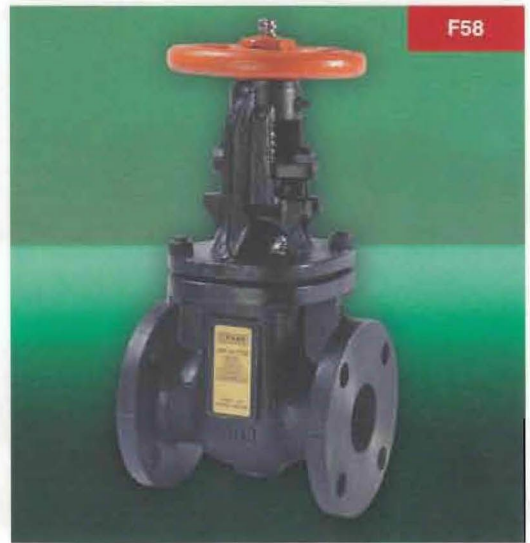
Class 125

Features & Benefits

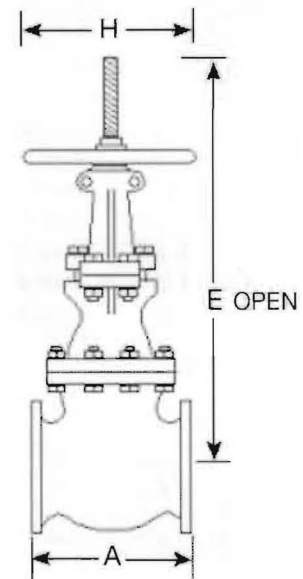
- Crane cast iron gate valves offer the ultimate in dependable service wherever minimum pressure drop is important
- Rising stem gives visual indication of valve open position

Materials

PART	MATERIAL	SIZES
Body	Cast Iron BS EN 1561 GJL-250	All
Bonnet	Cast Iron BS EN 1561 GJL-250	All
Disc	Cast Iron BS EN 1561 GJL-250	All
Stem	13% Cr.Steel BS 970 Pt.1 410S21 or 431S29	All
Body Seat Ring	Bronze BS EN 1982 CC491K	All
Disc Ring	Bronze BS EN 1982 CC491K	All
Yokesleeve	Bronze BS EN 1982 CC491K	All
Yokesleeve Nut	Ductile Iron ASTM A536 65-45-12	2, 3, 5, 8 & 10
Yokesleeve Nut	Cast Iron BS EN 1561 GJL-250	2 ¹ / ₂ , 4, 6 & 12
Yokesleeve Ret'g Nut	Ductile Iron ASTM A536 65-45-12	2, 3, & 5
Yokesleeve Ret'g Nut	Cast Iron BS EN 1561 GJL-250	2 ¹ / ₂ , 4, 6 & 12
Disc Stem Nut	Bronze BS EN 1982 CC491K	All
Gland	Cast Iron BS EN 1561 GJL-250	All
Packing	Asbestos Free	All
Gasket	Asbestos Free	All
Yoke	Cast Iron BS EN 1561 GJL-250	8, 10 & 12
Handwheel	Malleable Iron BS EN 1562 GJMB-300-6	All



Dimensional Drawing



Dimensions & Weights

SIZE (inch)	WEIGHT (kg)	A (mm)	E (mm)	H (mm)
2	17	178	365	152
2 ¹ / ₂	20	190	448	152
3	28	203	481	203
4	38	229	622	229
5	56	254	672	254
6	60	267	835	254
8	112	292	989	305
10	185	330	1208	356
12	242	356	1469	406

Pressure/Temperature Ratings

TEMPERATURE (°C)	-10 to 65	230
PRESSURE (BAR)	13.8	8.6

Intermediate pressure ratings shall be determined by interpolation.

PRESSURE RATING: Class 125

TEMPERATURE OPERATING RANGE: -10 to 230°C

US END CONNECTION: ANSI Class 125

OPERATOR: Handwheel.

Gate valves are best for services that require infrequent valve operation, and where the disc is kept either fully opened or fully closed. They are not practical for throttling.

SPECIFICATION: Valves are manufactured in accordance with BS 5150: 1990. End flanges conform to BS 1560 section 3.2/ANSI B16.1 Class 125 with flat face and are normally supplied drilled. Wedge Disc, Rising Stem, Outside Screw and Yoke.

This valve is not suitable for use on group 1 gases* or unstable fluids, as defined by the Pressure Equipment Directive 97/23/EC.

AVAILABLE OPTIONS: Flanges Undrilled. P50 Locking Device

F59

Cast Iron Gate Valve - Iron Trim

Class 125

Features & Benefits

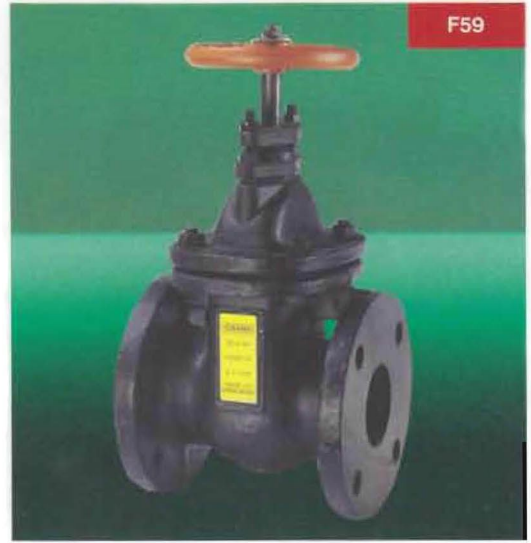
- Crane cast iron gate valves offer the ultimate in dependable service wherever minimum pressure drop is important

Materials

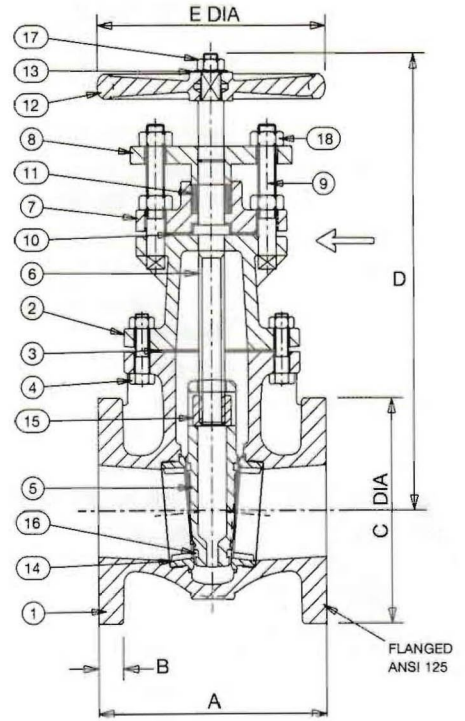
NO.	PART	MATERIAL	SIZES
1	Body	Cast Iron BS EN 1561 GJL-250	All
2	Bonnet	Cast Iron BS EN 1561 GJL-250	All
3	Bonnet Gasket	Asbestos Free	All
4	Bonnet Bolts/ Nuts Bronze	Steel BS4190 Gr.4.6/4.0	All
5	Disc	Cast Iron BS EN 1561 GJL-250	All
6	Stem	13% Cr.Steel	All
7	Stuffing Box	Cast Iron BS EN 1561 GJL-250	All
8	Gland	Cast Iron BS EN 1561 GJL-250	All
9	Gland Bolts	Steel BS 4190 Gr.4.6	200 & 250
9	Gland Studs	Steel BS 4439 Gr.4.8	50 - 150
10	Stuffing Box Gasket	Asbestos Free	All
11	Packing	Asbestos Free	All
12	Handwheel	Malleable Iron BS EN 1562 GJMB-300-6	All
13	Washer	Steel	All
14	Body Seat Ring	Integral	All
15	Disc Stem Nut	Ductile Iron ASTM A536 65-45-12	All
16	Handwheel Nut	Steel BS 4190 Gr.4	All
17	Stud/Bolt Nuts	Steel BS 4190 Gr.4	All

Dimensions & Weights

SIZE (mm)	WEIGHT (kg)	A (mm)	B (mm)	C (mm)
50	12.7	178	277	140
65	15.8	190	296	140
80	19.5	203	337	152
100	29.3	229	369	203
125	39.5	254	429	229
150	45.8	267	470	229
200	84	292	600	305
250	148	330	722	356



Dimensional Drawing



PRESSURE RATING: Class 125

TEMPERATURE OPERATING RANGE: -10 to 230°C

UK END CONNECTION: Not Specified

US END CONNECTION: ANSI Class 125

OPERATOR: Handwheel.

Gate valves are best for services that require infrequent valve operation, and where the disc is kept either fully opened or fully closed. They are not practical for throttling.

SPECIFICATION: Valves are manufactured in accordance with BS 5150. End flanges conform to BS 1560 Section 3.2/ANSI B16.1 Class 125 with flat face and are normally supplied drilled. Wedge Disc, Non-Rising Stem, Inside Screw, all Iron.

This valve is not suitable for use on group 1 gases or unstable fluids, as defined by the Pressure Equipment Directive 97/23/EC.*

AVAILABLE OPTIONS: Flanges Undrilled, P50 Locking Device

Every effort has been made to ensure that the information contained in this publication is accurate at the time of publishing. Crane Ltd assumes no responsibility or liability for typographical errors or omissions or for any misinterpretation of the information within the publication and reserves the right to change without notice.

F372

Cast Iron Globe Valve

Class 125

Features & Benefits

- Crane cast iron globe valves are highly efficient for throttling because seat and disc designs provide flow characteristics with proportionate relationships between valve lift and flow rate

Materials

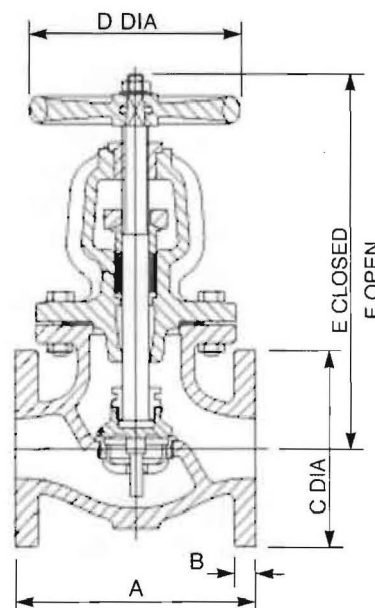
PART	MATERIAL	SIZES
Body	Cast Iron BS EN 1561 GJL-250	All
Bonnet	Cast Iron BS EN 1561 GJL-250	All
Disc Guide Pin	Brass BS EN 12164 CW721R	5 & 6
Gland	Brass BS EN 12164 CW614N	All
Gland Flange	Malleable Iron BS EN 1562 GJMB-300-6	All
Gasket	Asbestos Free	All
Disc Stem Ring	Brass BS EN 12164 CW721R	All
Lockwasher	Brass BS EN 1652	All
Disc	Bronze BS EN 1982 CC491K	All
Body Seat Ring	Bronze BS EN 1982 CC491K	All
Stem	Brass BS EN 12164 CW721R	All
Packing	Asbestos Free	All
Yoke Bushing	Brass BS EN 12164 CW721R	All
Handwheel	Malleable Iron BS EN 1562 GJMB-300-6	All

Dimensions & Weights

SIZE (inch)	WEIGHT (kg)	A (mm)	B (mm)	C (mm)	D (mm)	E (mm)	F (mm)
2	23.1	203	16	152	203	310	335
2 1/2	27.2	216	17	178	203	330	356
3	34.5	241	19	191	229	362	392
4	54.4	292	24	229	254	416	446
5	70.8	330	24	254	305	457	489
6	95.3	356	25	279	305	476	516



Dimensional Drawing



Pressure/Temperature Ratings

TEMPERATURE (°C)	-10 to 65	150	230
PRESSURE (BAR)	13.8	11.4	8.6

Intermediate pressure ratings shall be determined by interpolation.

PRESSURE RATING: Class 125

TEMPERATURE OPERATING RANGE: -10 to 230°C

US END CONNECTION: ANSI Class 125

OPERATOR: Handwheel

AVAILABLE OPTOINS: Flanges Undrilled

SPECIFICATION: Valves are manufactured in accordance with BS 5152: 1974 and also meet the requirements of MSS.SP-85: 2002.

End flanges conform to BS 1560 Section 3.2/ANSI B16.1 Class 125 with Flat Face and are normally supplied drilled.

Valves detailed on this page are dimensioned in metric terms.

This valve is not suitable for use on Group 1 gases or unstable fluids, as defined by the Pressure Equipment Directive 97/23/EC.*

Every effort has been made to ensure that the information contained in this publication is accurate at the time of publishing. Crane Ltd assumes no responsibility or liability for typographical errors or omissions or for any misinterpretation of the information within the publication and reserves the right to change without notice.

F493

Cast Iron Check Valve

Class 125

Features & Benefits

- The F493 is a swing check valve with a Bronze trim
- Manufactured to BS 5153:1974

Materials

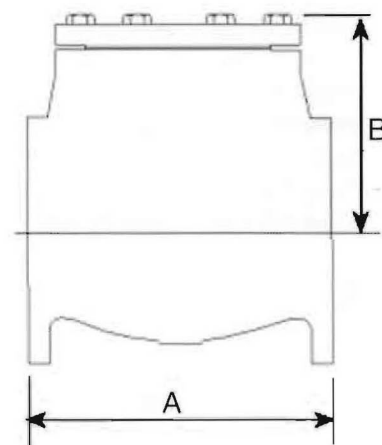
PART	MATERIAL	SIZES
Body	Cast Iron BS EN 1561 GJL-250	All
Cap	Cast Iron BS EN 1561 GJL-250	All
Disc	Cast Iron BS EN 1561 GJL-250	All
Body Seat Ring	Bronze BS EN 1982 CC491K	All
Disc Ring	Bronze BS EN 1982 CC491K	All
Hinge Pin Bush	Bronze BS EN 1982 CC491K	All
Hinge Pin Plug	Bronze BS EN 1982 CC491K	All
Hinge Pin	Stainless Steel Type 304	2 - 4
Hinge Pin	13% Cr.Steel AISI Type 410	5 - 12
Cap Bolts	Steel BS 3692 Gr.8.8	All
Cap Bolts Nuts	Steel BS 3692 Gr.8	All
Gasket	Asbestos Free	All
Body Plate	Aluminium	All

Dimensions & Weights

SIZE (inch)	WEIGHT (kg)	A (mm)	B (mm)
2	11.3	203	113
2 1/2	15.6	216	126
3	19.3	241	136
4	26.6	292	153
5	44	330	186
6	55.5	356	207
8	119	495	250
10	175	622	352
12	263	698	397



Dimensional Drawing



Pressure/Temperature Ratings

TEMPERATURE (°C)	-10 to 65	150	230
PRESSURE (BAR)	13.8	11.4	8.6

Intermediate pressure ratings shall be determined by interpolation.

PRESSURE RATING: Class 125

TEMPERATURE OPERATING RANGE: -10 to 230°C

US END CONNECTION: ANSI Class 125

OPERATOR: Swing Check Valve

SPECIFICATION: Valves are manufactured in accordance with BS 5153:1974

and also meet the requirements of MSS.SP-71. End flanges conform to BS 1560. Section 3.2/ANSI B16.1 Class 125 with flat face and are normally supplied drilled. This valve is not suitable for use on Group 1 gases or unstable fluids, as defined by the Pressure Equipment Directive 97/23/EC.*

Every effort has been made to ensure that the information contained in this publication is accurate at the time of publishing. Crane Ltd assumes no responsibility or liability for typographical errors or omissions or for any misinterpretation of the information within the publication and reserves the right to change without notice.