



ACCESSORIES

PARALLEL PLATE



CONVERSION BRACKET (A)



CONVERSION BRACKET (B)



L-BRACKET



HOLD OPEN ARM



SLIDE ARM



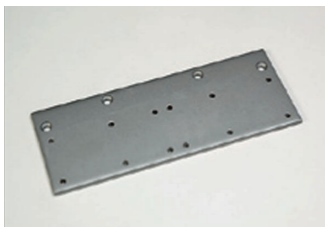
ARM EXTENDED LINK



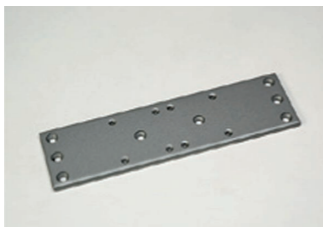
FUSIBLE LINK



DROP PLATE



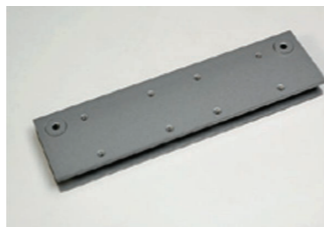
MOUNTING PLATE



ANGLE BRACKET



GLASS DOOR SHOE BRACKET



COVER



**NH<sup>N</sup>** 800 SERIES



The NHN 836 Series overhead door closer offers a comprehensive range of hydraulic, power adjustable door closers to suit all applications.

The NHN 836 Series door closers are current with modern designs offering two speed adjustment valves and a back check valve available at the front of the body for easy control of closing, latching and back check. A delayed action function is optionally available. NHN 836 series are power adjustable by screw.

NHN 836 is CE approved to EU directives (89/106/EEC) by the EN1154:1996/A1:2002/AC:2006 and EN1634-1:2000. 10 year guarantee.

DATA & FEATURES

- NHN 836 Series offers sizes EN 3-6, spring power adjustable by power adjustment screw.
- Back check function standard and delayed action function optional available.
- Easy installation.
- Easy speed and control adjustments by valve screws at the front of the closer body.
- Slim and modern body.
- Non-handed applications.
- Comprehensive range of accessories including stainless steel and brass.
- RAL9006 finish as standard with others available.

SELECTION CHART

Power size (EN)	Door width (mm)	Door weight (kg)	800 SERIES					
			STANDARD ARM	HOLD OPEN		DELAYED ACTION	SLIDE ARM	PARALLEL BRACKET
3	950	60	836	836S		836DA	836GL	836P
4	1100	80						
5	1250	100						
6	1400	120						
CE			CE					

NOTE 1: Where the actual size and mass of door to which the door closer is to be fitted relates to two sizes of door closers, the larger power size of door closer should be used.  
NOTE 2: The door widths given are for standard installations, in the case of unusually high or heavy doors, windy or draughty conditions, a larger power size of door closer should be used.

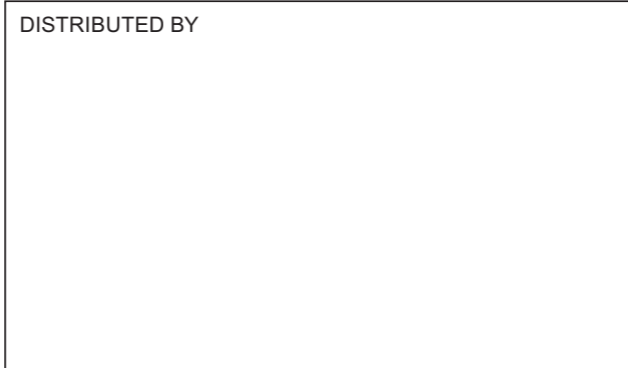


TOWER WEST 12FL, UMEDA SKY BUILDING, 1-1-30, OYODO-NAKA, KITA-KU, OSAKA 531-0076 JAPAN  
Phone: 81-(0)6-6454-9721  
Facsimile: 81-(0)6-6454-9726  
E-Mail: [info@kenwa.co.jp](mailto:info@kenwa.co.jp) <http://www.kenwa.co.jp>  
<http://www.micomautodoor.com>

E.&O.E.

All sizes, photo's and drawings are subject to change without prior notice.  
Copyright © 2013 KENWA CO.,LTD. OSAKA JAPAN All Rights Reserved.

DISTRIBUTED BY

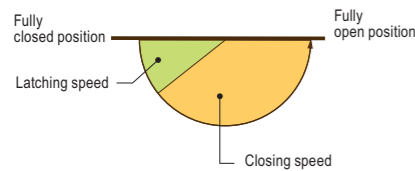




FUNCTION

Closing & latching speed

The closing speed from maximum opening angle to 15° and the latching speed from 15° to 0° can easily be controlled by two independent valves on the top of the closer.

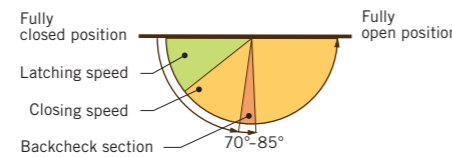


Back-check function

This function is built into the door closer body and checks the outward swing of the door. Most suited where the opening door might hit a wall i.e. in a corridor, or where it could injure someone if it opens too quickly. It is recommended for use on externally opening doors in windy environments.

The back check function is adjustable by valve between 70° and 85°.

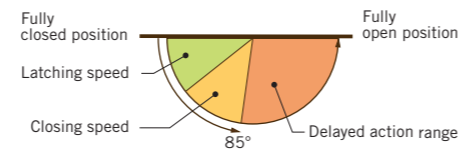
IT SHOULD NOT BE REGARDED AS A DOOR STOP!



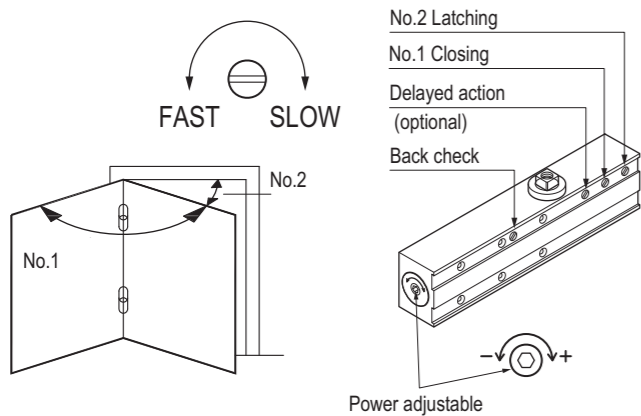
Delayed action function (optional)

This function reduces the closing speed of the door to allow passers-by sufficient time to pass through the door opening i.e. people in wheelchairs, hospital staff with beds, elderly people etc. The maximum delay of 60 seconds is achieved from the 180° (fully open angle) through to 85°.

After which the normal closing process takes effect to provide a secure and complete closure of the door. The duration of the delay can be adjusted via the delayed valve screw located on the front of the closer body.



ADJUSTMENT



SERIES 800GL

The use of a slide arm in combination with a design cover gives a stylish look to the no. 800 Series door closers. The slide arm is also recommended in situations where vandalism often appears.

The slide arm can be fixed on to the front of the door frame for the regular applications, underneath for outswinging door applications or in top jamb application. A hold open unit is available to keep the door open at a desired position.

The no. 836 model with slide arm is suitable for doors up to a weight of 100kg and a width of 1250mm.

For easy adjustment the closing speed screw, the latching speed screw, the back check screw and the delayed action screw (if fitted) are located at the front of the closer body.

The power adjustment screw by no. 800 Series is located at the short side of the closer body. The manual shows the setting and the number of turns required to change the power force of the no. 800 closer body and the right position of the eccentric shoe.

The no. 800 Series door closers are designed to allow a door opening angle of 180° by using butt hinges with a maximum offset of 10mm. Using the door closers in top jamb application, parallel arm application or with hinges with a different offset can limit the maximum opening angle of the door.

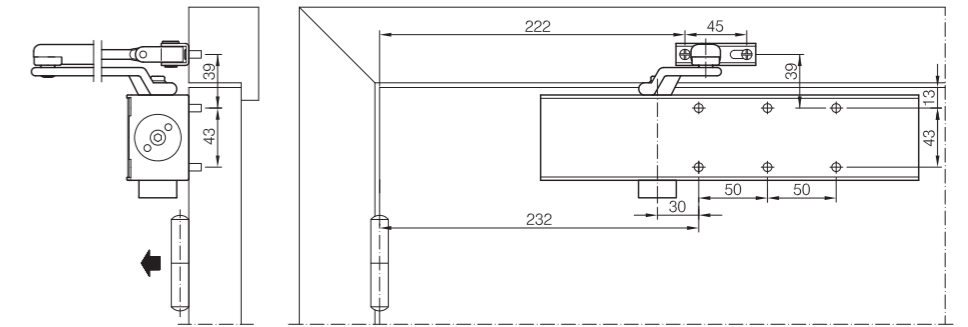
It is recommended to fit always a door stop.

INSTALLATION

Standard installation

Closer mounted hinge side of door.

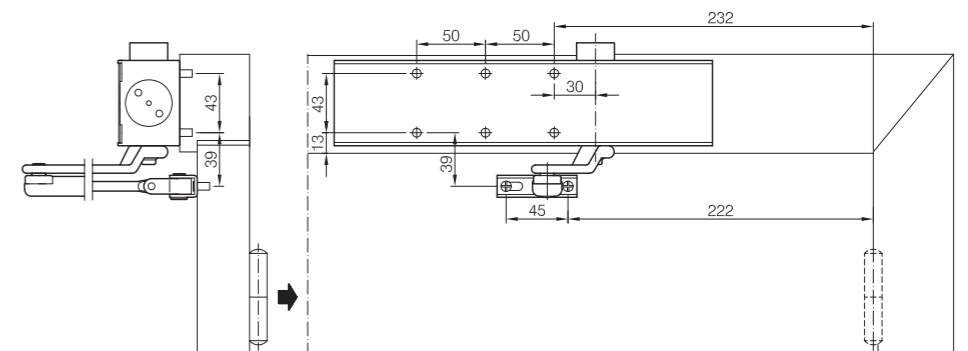
Force	Max. Door Width
-5	EN3 950mm
0	EN4 1100mm
+3	EN5 1250mm
+8	EN6 1400mm



This illustration shows the NHN 836 door closer with standard arm in a right handing configuration (DIN L)

Top jamb installation

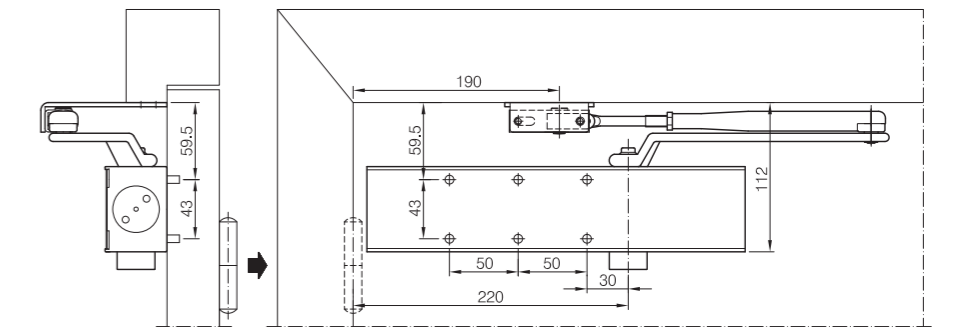
Closer mounted opposite hinge side of door. Using the door closer in top jamb application might reduce the maximum opening angle of the door.



This illustration shows the NHN 836 door closer with standard arm in a right handing configuration (DIN L).

Parallel arm installation

Closer mounted opposite hinge side of door. Using the door closer in the parallel arm application with the optional parallel bracket will weaken it by one size. The maximum door opening angle of the door might be reduced.

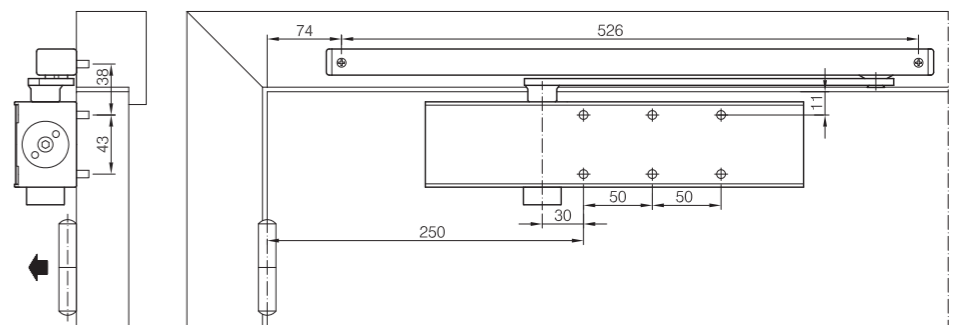


This illustration shows the NHN 836P door closer with standard arm and parallel plate in a left handing configuration (DIN R).

Slide arm installation

Closer mounted hinge side of door.

The slide arm includes as standard a hold open device, which can easily be adjusted or removed. The slide arm can also be fitted underneath the top frame for out swinging applications or in top jamb applications.



This illustration shows the NHN 836GL door closer with slide arm in a right handing configuration (DIN L).