

AtlantaSink

— Plastic Lavatory Sink —



- Durable
- Economical
- Lightweight
- Faucet Ready
- Easy To Install
- Easy To Clean
- Elegant & Classy Appearance
- Comes With Stainless Strainer
- Comes With Flexible Connector Hose

EVERY **AtlantaSink** COMES WITH
— Plastic Lavatory Sink —



stainless strainer



flexible connector
hose

AtlantaSink

— Plastic Lavatory Sink —

Introduction

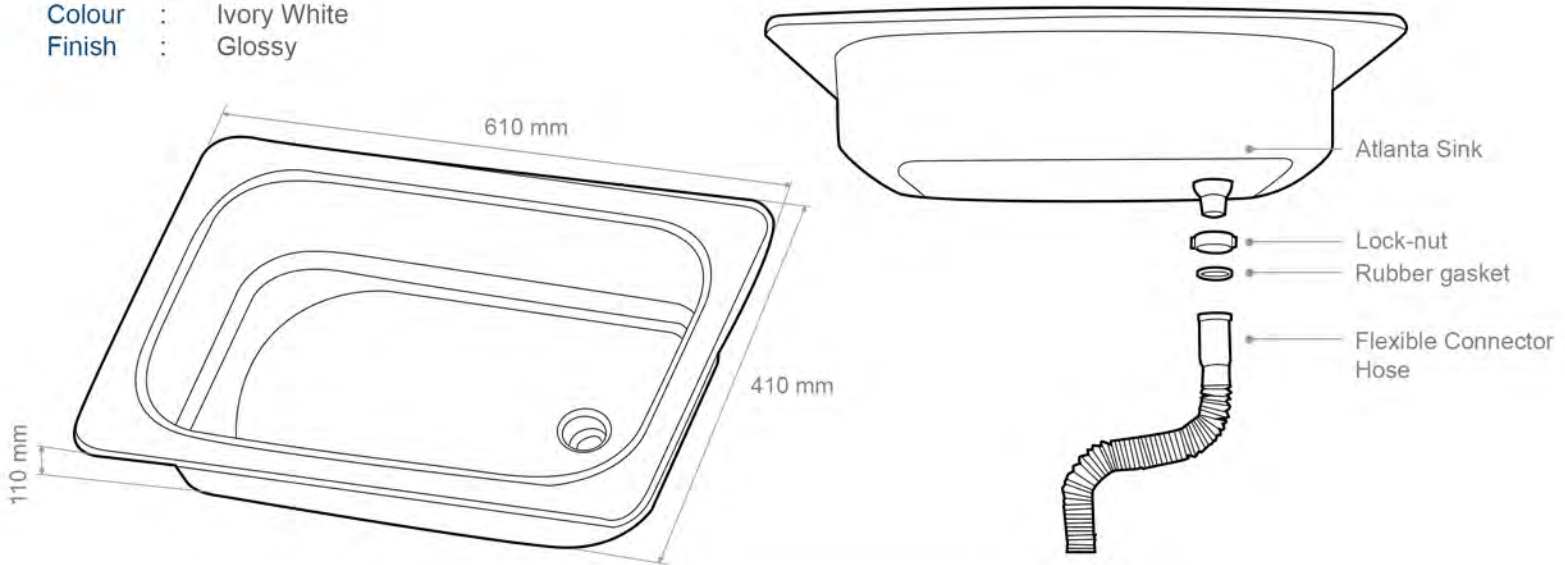
Lavatory sinks are generally made of metallic materials such as stainless steel, aluminum, or coated iron or ceramic materials. Such ceramic sinks are heavy & could easily break. Metallic sinks, on the other hand are also heavy & expensive. Further, water marks & dirt easily formed thereon, thereby cleaning should be frequently done to preserve its quality. Through time, the shine of stainless steel or aluminum sinks deteriorates due to water marks & accumulated dirt.

Plastic Sink vs Other Materials Sink

Plastic Sink	Stainless Steel, Coated Iron & Ceramics
Quiet	Noisy
Scratches can be sanded down	Develop scratches overtime
Economical	Contributes to Maintenance Cost
Easy to Clean	Dirt can easily form & use chemicals to clean
Lightweight	Heavy
Longer Lifespan	Prone to Rust and Corrosion
Easy to Install	Requires Technical Skill to Install and Prevent Leakage & Breakage

Specification

Material : HDPE
 Colour : Ivory White
 Finish : Glossy



Price: Php _____ / set